

Longmeadow Mailbox Stand Guidelines

The following mailbox guidelines are meant to be a guide to construct a mailbox that will conform to the standards in the following Villages:

Nottingham

Cavan

Kentwood Forest

Lyndhurst

Appleford

Somersby

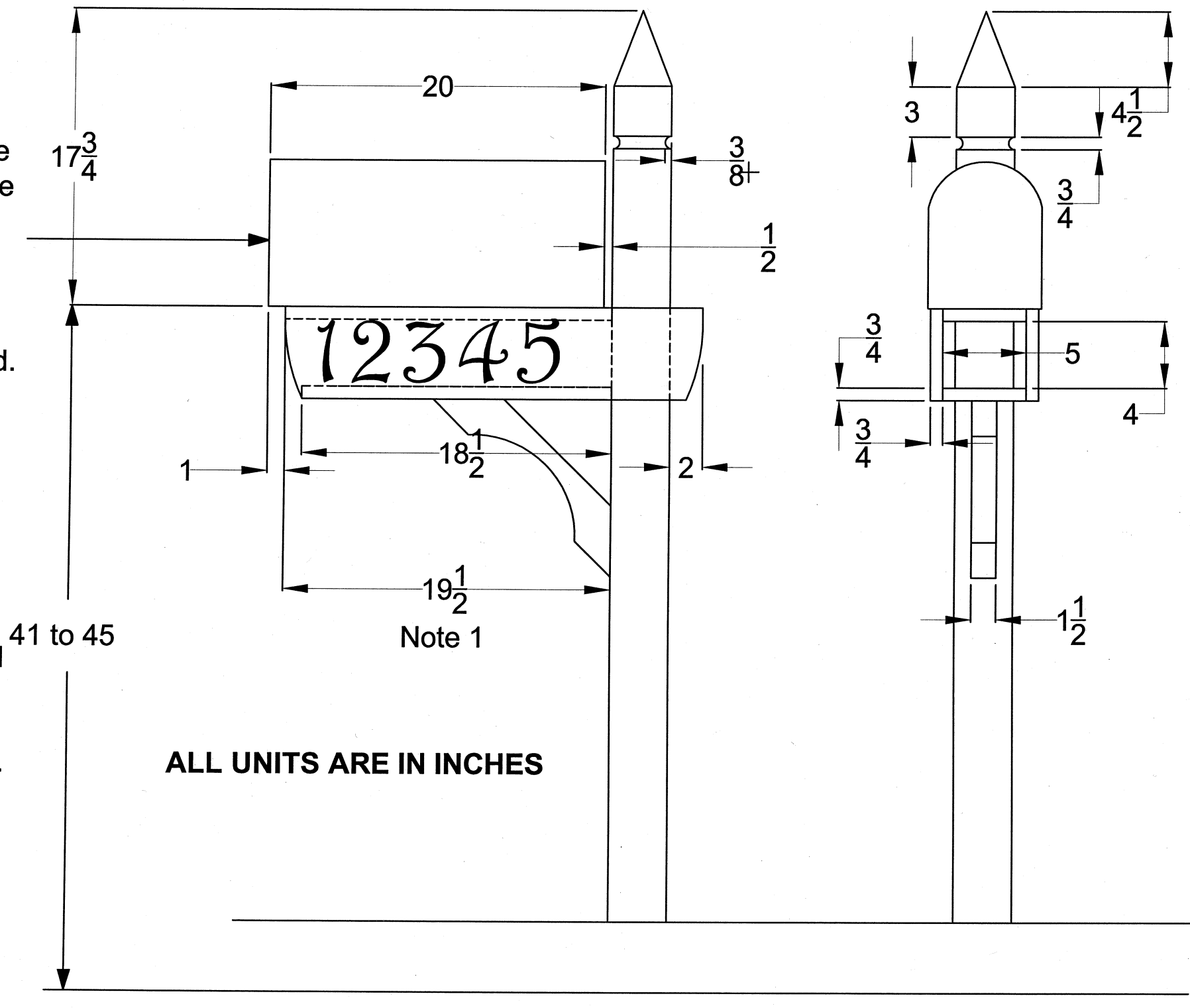
Duxton (this village may install either style mailbox due to the developers installing a mix of both)

The material quantities are only an estimate based on what is shown. Materials may change base on your specific case. The dimensions shown should be followed but allowances for varying mailbox length must be considered when constructing the stand as pointed out in the guideline. If there are any questions please contact a member of the Architectural Review Committee via email or through the website LongmeadowHOA.com or ACS West and they will contact someone from the Architectural Review Committee to contact you.

Older sections standard mailbox design

The mailbox should be set back 6 to 8 inches from the front face of the curb or road edge to the mailbox door, which is a USPS standard.

Distance from the bottom of the mailbox to road should be between 41 and 45 inches, which is a USPS standard.



ALL UNITS ARE IN INCHES

Neighborhoods with this mailbox standard

- Nottingham
- Cavan
- Kentwood Forest
- Lyndhurst
- Appleford
- Somersby
- Duxton

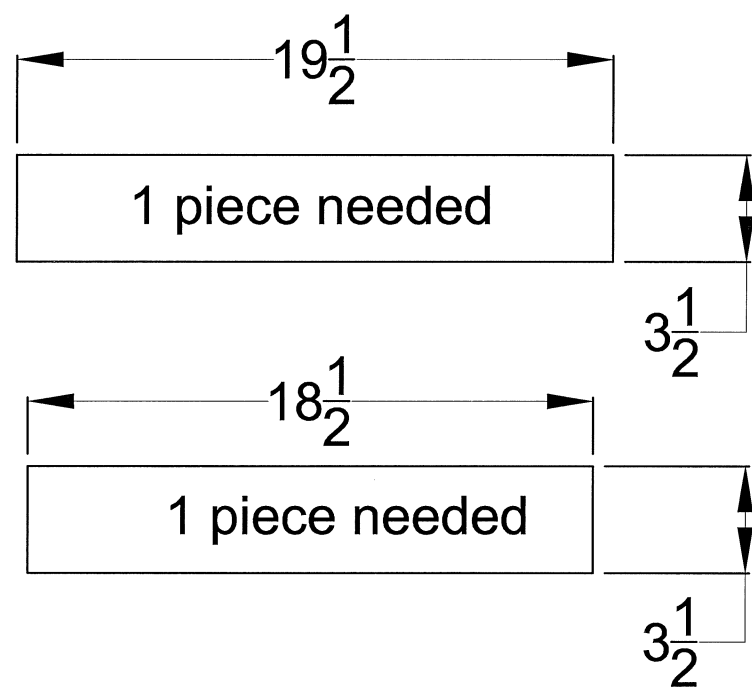
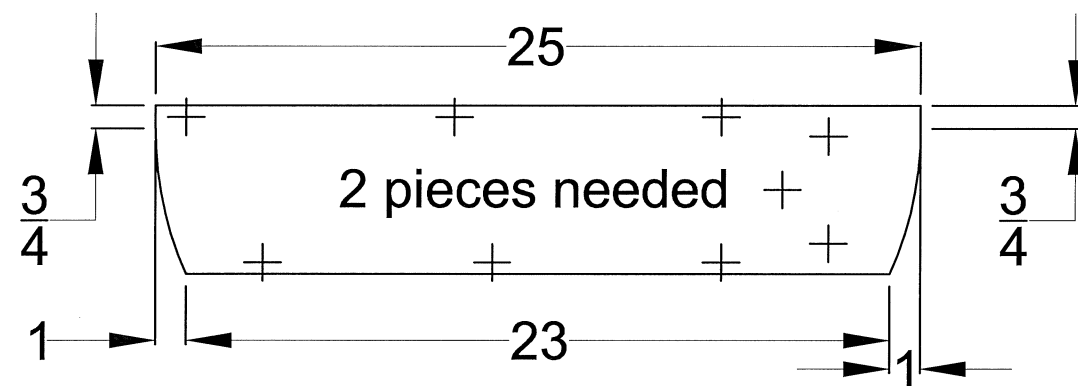
Note 1: The $19\frac{1}{2}$ inch length will vary depending on the length of the mailbox purchased. Just add or subtract difference of your mail box from the mailbox length given above at 20 inches to $19\frac{1}{2}$ inches. So if the mailbox you purchase is 19 inches long subtract 20 inches from 19 inches which is 1 inch. Subtract 1 inch from the $19\frac{1}{2}$. This new length will be $18\frac{1}{2}$. If your mailbox is longer the length will be longer. This process needs to be applied to the $18\frac{1}{2}$ inch dimension also.

Yard surface

Road surface

Older sections standard mailbox design

The lengths of the pieces below will vary depending on the length of the mailbox that is purchased.



ALL UNITS ARE IN INCHES

Estimated materials needed

Used treated outdoor wood

1 - standard size metal black mailbox with red flag approximately 20 inches long

2 - 1" x 6" x 8' actual dimensions 3/4" x 5 1/2" x 8'

1 - 2" x 4" x 8' actual dimensions 1 1/2" x 3 1/2" x 8'

1 - 4" x 4" x 8' actual dimensions 3 1/2" x 3 1/2" x 8'

12 - 2" screws coated for treated wood

8 - 3" screws coated for treated wood

White outdoor paint

1- 60lb bag of concrete

Special order from the Chester Lowe's, Liberty Hardware's Brainerd house numbers, 4" high, plastic, flat black, part number 3030-X where the X represents the actual numeral. See Ed at the commercial Services desk.

