

Longmeadow Mailbox Stand Guidelines

The following mailbox guidelines are meant to be a guide to construct a mailbox that will conform to the standards in the following Villages:

Oxley

Littlebury

Stockleigh East

Stockleigh West

Burley Ridge

Greenham

Thornsett

Rossington

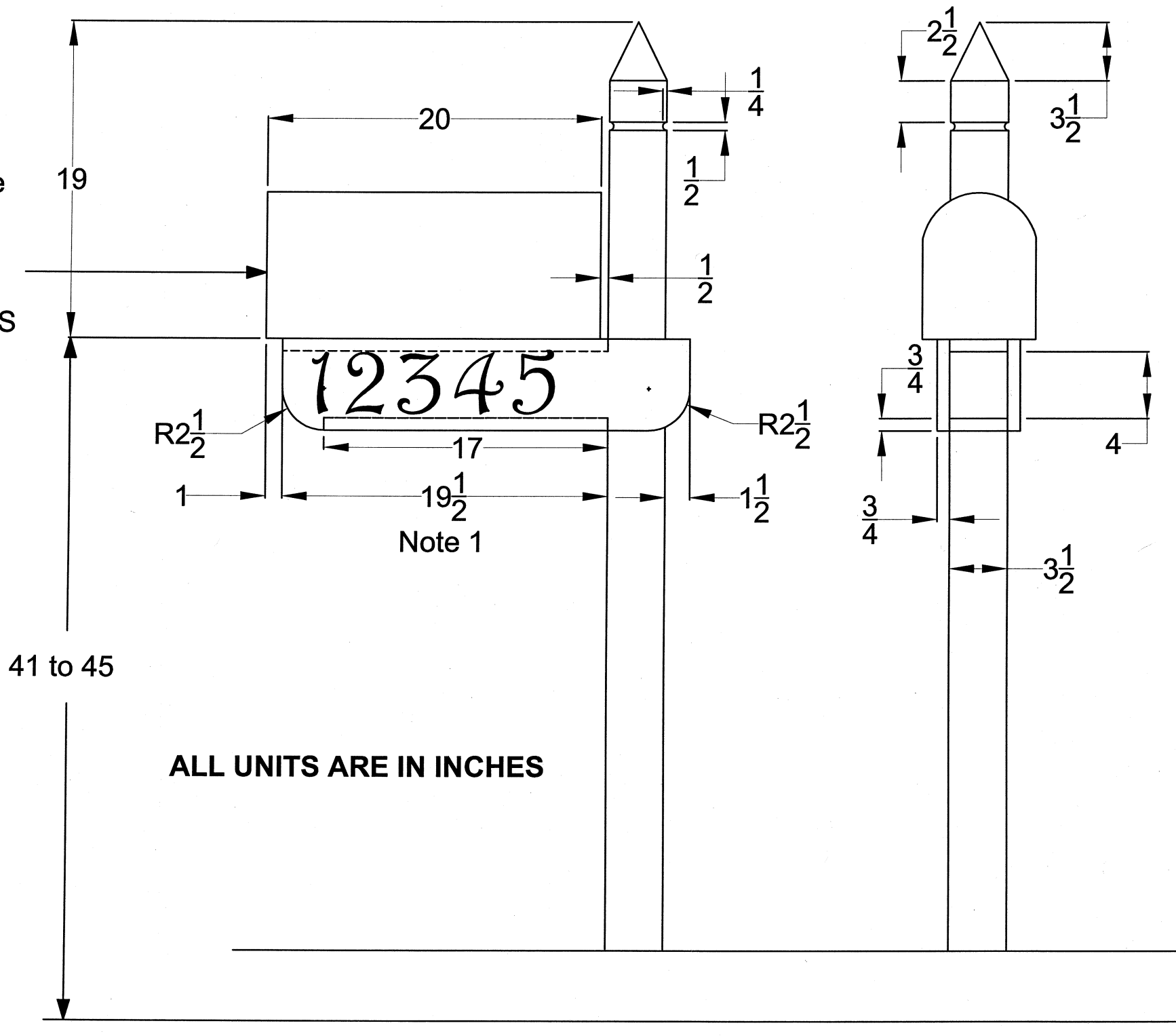
Duxton (this village may install either style mailbox due to the developers installing a mix of both)

The material quantities are only an estimate based on what is shown. Materials may change base on your specific case. The dimensions shown should be followed but allowances for varying mailbox length must be considered when constructing the stand as pointed out in the guideline. If there are any questions please contact a member of the Architectural Review Committee via email or through the website LongmeadowHOA.com or ACS West and they will contact someone from the Architectural Review Committee to contact you.

Newer sections standard mailbox design

The mailbox should be set back 6 to 8 inches from the front face of the curb or road edge to the mailbox door, which is a USPS standard.

Distance from the bottom of the mailbox to road should be between 41 and 45 inches, which is a USPS standard.



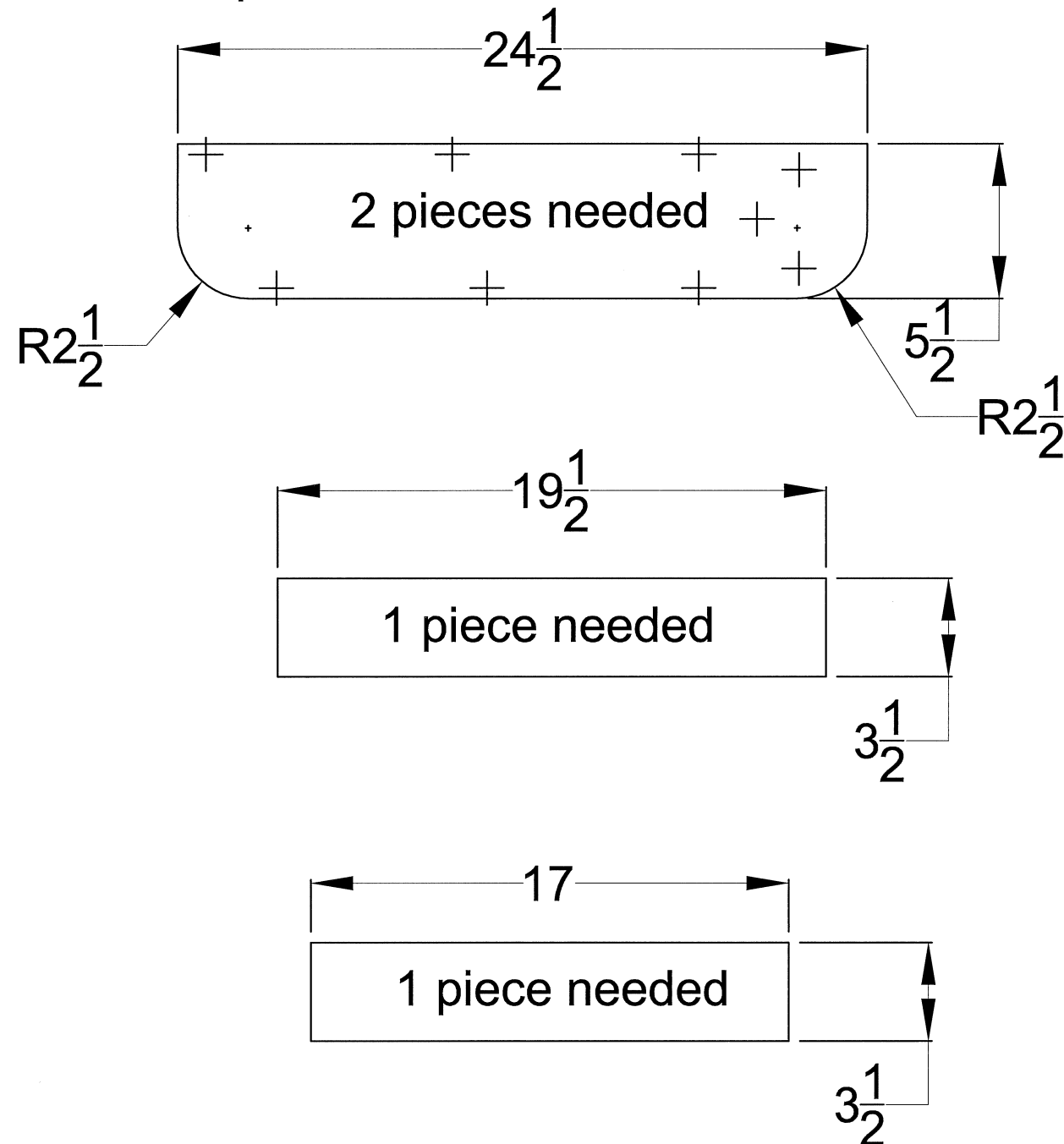
Neighborhoods with this mailbox standard

- Oxley
- Littlebury
- Stockleigh East
- Stockleigh West
- Burley Ridge
- Greenham
- Thornsett
- Rossington
- Duxton

Note 1: The 19 1/2 inch length will vary depending on the length of the mailbox purchased. Just add or subtract difference of your mail box from the mailbox length given above at 20 inches to 19 1/2 inches. So if the mailbox you purchase is 19 inches long subtract 20 inches from 19 inches which is 1 inch. Subtract 1 inch from the 19 1/2. This new length will be 18 1/2. If your mailbox is longer the length will be longer. This process needs to be applied to the 17 inch dimension also.

Newer sections standard mailbox design

The lengths of the pieces below will vary depending on the length of the mailbox that is purchased.



Estimated materials needed

Used treated outdoor wood

1 - standard size metal mailbox with red flag approximately 20 inches long

1 - 1" x 6" x 8' actual dimensions $\frac{3}{4}$ " x $5\frac{1}{2}$ " x 8'

1 - 4" x 4" x 8' actual dimensions $3\frac{1}{2}$ " x $3\frac{1}{2}$ " x 8'

18 - 2" screws coated for treated wood

White outdoor paint

1- 60lb bag of concrete

Special order from the Chester Lowe's, Liberty Hardware's Brainerd house numbers, 4" high, plastic, flat black, part number 3030-X where the X represents the actual numeral. See Ed at the commercial Services desk.

+ Approximate location for screws

ALL UNITS ARE IN INCHES